

GATWOOD

Crane Service, Inc.

MINI CRANE SPD 360 C



Compact footprint & variable outriggers to fit tight spaces



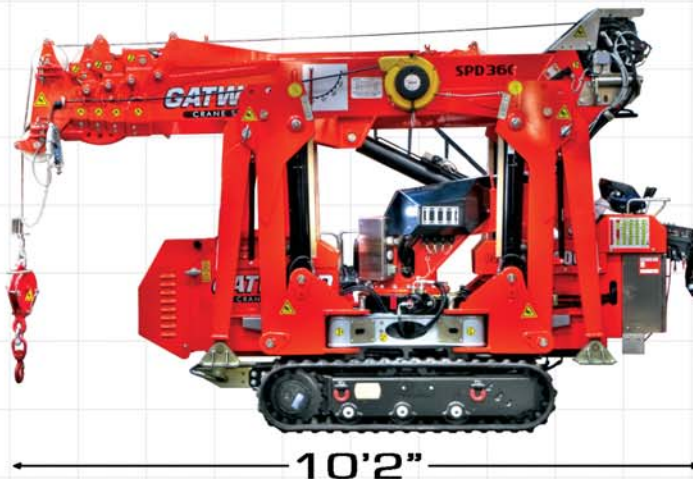
Small design fits in many doorways & elevators



Power Options:
Fuel or Electric
Control Options:
Onboard, Wired or Wireless



6'5"



10'2"



Rubber tracks for low ground pressure

847-364-1400

www.gatwoodcrane.com

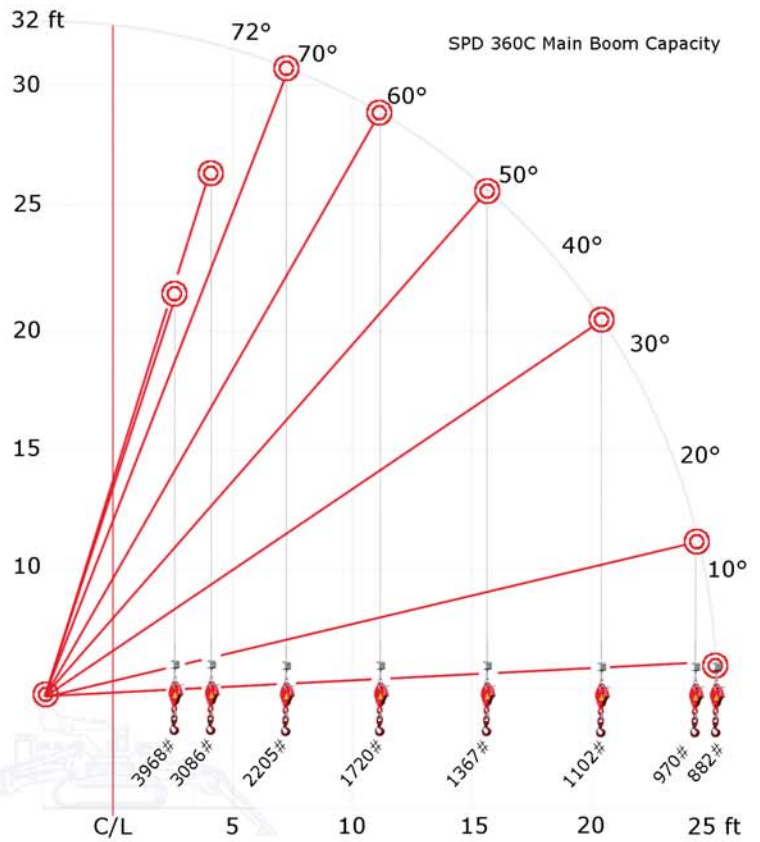
GATWOOD

Crane Service, Inc.

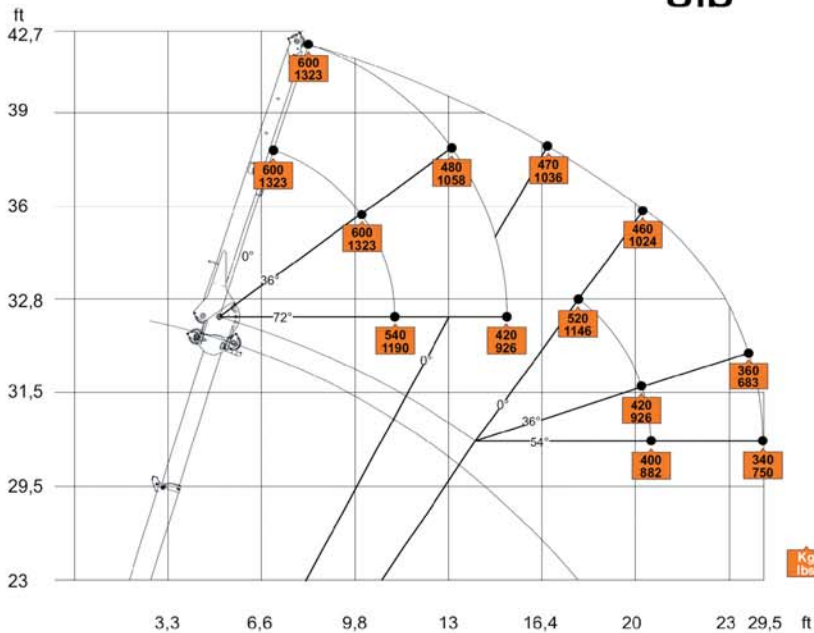
Mini-Crane SPD 360C

- Weight: 4850 #
- Travel Dimensions:
10'2"L x 2'7"W x 6'5"H
- Main boom: 32' L- max 72°
- Jib: 10' - fixed offset
from 0° to 72°
- Outrigger dimensions:
18' x 14' [variable]
- Max outrigger pressure:
4188# to pads (4)
- Track contact patch:
1.5' x 3.5' [total]
- Track ground pressure:
874# per square foot
- Power options:
Fuel, Battery or Electrical
- Control options:
Onboard, wired remote or
wireless joystick
- Setup Time:
Base: 10 min.
Add jib w/offset: + 5 min.
- Max hook height:
28' (main boom) or 39' (jib)

Main Boom



Jib



		JIB TILTING ANGLE						
		72°	54°	36°	18°	0°		
MAIN BOOM TILTING ANGLE	72°	Kg	1950	540	550	600	600	600
		mm	6.4	1190	1213	1323	1323	1323
		lbs	2350	490	510	550	600	600
			7.71	1080	1124	1213	1323	1323
			2750	450	470	510	600	600
			9	992	1036	1124	1323	1323
	60°	Kg	3150	420	430	480	560	600
		mm	10.33	926	948	1058	1235	1323
		lbs	1950	-	430	450	480	530
			6.4	-	948	992	1058	1168
			2350	-	400	420	450	510
			7.71	-	882	926	992	1124
54°	Kg	2750	-	380	400	430	490	
	mm	9	-	838	882	948	1080	
	lbs	3150	-	360	370	410	470	
		10.33	-	794	816	904	1036	
		1950	-	400	420	460	520	
		6.4	-	882	926	1014	1146	

Pricing and Availability: