

39,500 lb Counterweight – Fully Extended Outriggers – 360° Rotation (All Capacities Are Listed In Pounds)												
Radius (ft)	Boom Length (ft)											Radius (ft)
	38	50	60	70	76.5/80	90	100	110	120	130	140	
8	180,000*											8
9	167,600*											9
10	158,800*	152,100*	117,900	89,700								10
12	143,600*	138,700*	108,800	85,000	85,100**							12
15	123,700	122,600	106,500	78,800	78,400**	57,700						15
20	91,300	93,500	93,800	70,300	76,500**	56,200	49,100	42,500				20
25	71,000	73,300	73,800	63,600	73,300**	55,300	45,800	42,500	33,700	29,700		25
30	57,200	59,600	60,100	58,100	61,100	54,500	45,200	38,300	31,200	29,400	24,400	30
35		49,700	50,300	51,400	51,200	50,900	42,500	35,500	30,900	29,100	24,100	35
40		42,200	43,700	44,000	43,800	43,400	38,200	33,400	30,600	28,800	24,000	40
45			37,900	38,200	38,100	37,700	34,600	30,300	29,900	28,600	23,800	45
50			32,400	32,700	32,500	32,000	31,500	27,900	27,800	26,800	23,700	50
55				28,200	28,000	27,600	27,300	25,600	25,800	24,800	23,600	55
60				24,600	24,500	24,100	24,100	23,600	24,200	23,000	22,100	60
65					21,500	22,300	21,100	21,400	21,600	21,300	20,600	65
70					19,700	19,900	18,700	19,500	19,100	19,200	19,200	70
75						17,700	17,500	17,400	17,000	17,700	17,400	75
80						16,000	16,000	15,600	15,900	15,900	15,600	80
85							14,600	14,600	14,800	14,400	14,100	85
90							13,800	13,700	13,400	13,000	12,700	90
95								12,500	12,300	11,900	11,600	95
100								11,500	11,200	10,900	10,600	100
105									10,200	9,900	9,600	105
110									9,400	9,000	8,800	110
115										8,300	8,000	115
120										7,500	7,300	120
125											6,600	125
130											6,000	130

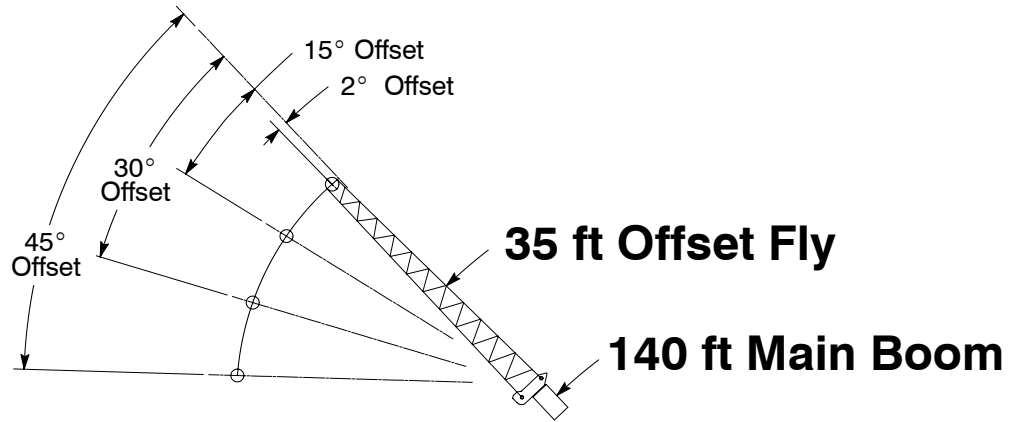
* Special Conditions Or Wire Rope Required
 ** 76.5 EM5 mode

This information is not for crane operation. Operator must refer to the in-cab information for crane operation. Rated lifting capacities shown on fully extended outriggers do not exceed 85% of the tipping loads and on tires do not exceed 75% of the tipping loads.

Fly Attachment Lift Capacity Charts – Optional

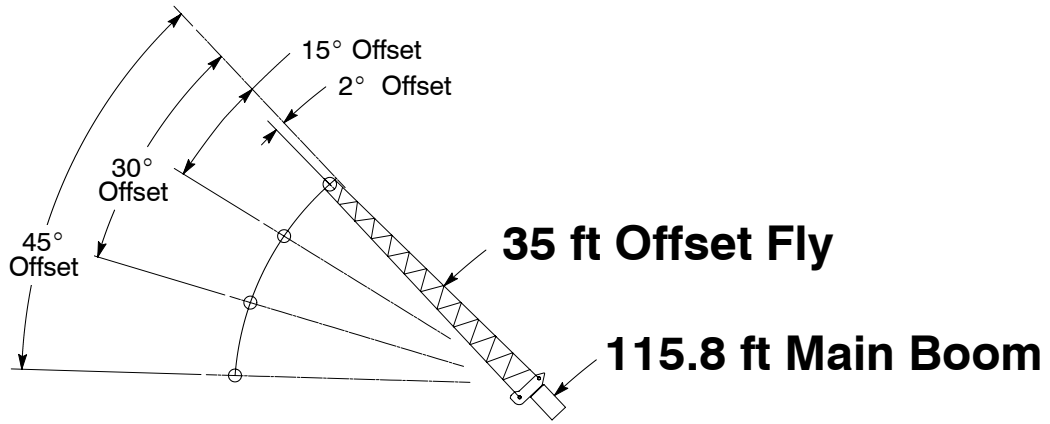
8,500 lb Counterweight – Fully Extended Outriggers – 360° Rotation (All Capacities Are Listed In Pounds)					
140 ft Main Boom Length 2° Fly Offset			140 ft Main Boom Length 15° Fly Offset		
Radius (ft)	Fly Length (ft)		Radius (ft)	Fly Length (ft)	
	35	58		35	58
35	12,100		35		
40	12,100		40		
45	12,100	8,500	45	11,500	
50	12,100	8,400	50	11,400	
55	12,100	8,300	55	11,200	
60	12,100	8,100	60	11,000	7,200
65	11,900	8,000	65	10,800	7,000
70	10,400	7,800	70	10,600	6,800
75	9,000	7,700	75	9,700	6,700
80	7,800	7,500	80	8,500	6,500
85	6,800	7,300	85	7,400	6,300
90	5,900	6,400	90	6,400	6,200
95	5,100	5,600	95	5,600	6,000
100	4,400	4,900	100	4,800	5,600
105	3,700	4,200	105	4,200	4,900
110	3,200	3,600	110	3,600	4,300
115	2,700	3,100	115	3,000	3,700
120	2,200	2,600	120	2,500	3,200
125	1,800	2,200	125	2,100	2,700
130	1,400	1,800	130	1,700	2,300
135	1,100	1,500	135	1,300	1,900
140			140	900	1,500
145			145		1,200

This information is not for crane operation. Operator must refer to the in-cab information for crane operation. Rated lifting capacities shown on fully extended outriggers do not exceed 85% of the tipping loads and on tires do not exceed 75% of the tipping loads.



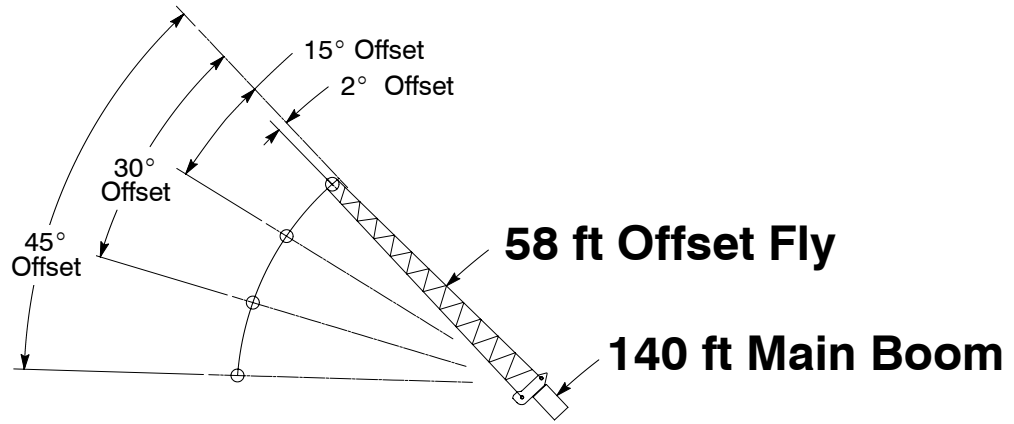
Rated Lifting Capacities In Pounds		2° Offset		15° Offset		30° Offset		45° Offset	
		Δ °	360°	Δ °	360°	Δ °	360°	Δ °	360°
35	80.0	12,100							
40	78.5	12,100							
45	77.5	12,100	80.0	11,500					
50	76.0	12,100	78.5	11,400					
55	74.5	12,100	77.0	11,200	79.5	10,000			
60	73.0	12,100	75.5	11,000	78.0	9,800			
65	71.5	11,900	74.0	10,800	76.5	9,700	78.5	8,800	
70	70.0	11,700	72.5	10,600	75.0	9,500	77.0	8,800	
75	68.5	11,500	71.0	10,400	73.5	9,400	75.0	8,700	
80	67.0	11,300	69.5	10,200	71.5	9,200	73.5	8,600	
85	65.5	11,000	67.5	10,000	70.0	9,100	71.5	8,600	
90	63.5	10,500	66.0	9,700	68.0	9,000	70.0	8,500	
95	61.5	10,100	64.0	9,400	66.0	8,800	68.0	8,400	
100	59.5	9,700	62.0	9,000	64.0	8,500	66.0	8,200	
105	57.5	9,300	60.0	8,700	62.0	8,200	63.5	8,000	
110	55.5	8,900	58.0	8,400	60.0	8,000	61.5	7,800	
115	53.0	8,500	55.5	8,100	57.5	7,700	59.0	7,600	
120	50.5	7,800	53.5	7,900	55.5	7,500	56.5	7,400	
125	48.0	7,100	51.0	7,400	53.0	7,300	54.0	7,200	
130	45.5	6,500	48.0	6,800	50.5	7,000	51.5	7,100	
135	42.5	6,000	45.0	6,200	47.5	6,400	48.0	6,400	
140	39.5	5,500	42.0	5,700	44.0	5,800			
145	36.5	5,000	39.0	5,200	40.5	5,300			
150	32.5	4,500	35.0	4,700	36.5	4,800			
155	28.5	4,100	31.0	4,300	32.0	4,300			
160	23.5	3,700	26.0	3,800					
165	17.0	3,400	18.5	3,400					
Min.Bm. Ang./Cap.	0.0	500	0.0	500	0.0	600	0.0	600	

Not for crane operations

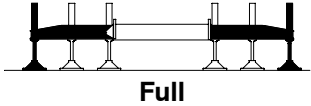
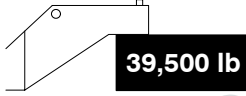



Rated Lifting Capacities In Pounds		Full				39,500 lb		EM 3	
		2° Offset		15° Offset		30° Offset		45° Offset	
Load Radius In (ft)	2°		15°		30°		45°		
	∠	360°	∠	360°	∠	360°	∠	360°	
30	79.5	20,000							
35	78.0	19,100							
40	76.0	18,100	78.5	13,700					
45	74.5	17,200	77.0	13,200	79.5	11,100			
50	72.5	16,400	75.0	12,800	78.0	10,800			
55	70.5	14,500	73.0	12,300	76.0	10,500	78.5	9,400	
60	68.5	14,000	71.0	11,900	74.0	10,300	76.5	9,200	
65	66.5	13,500	69.0	11,500	72.0	10,000	74.0	9,100	
70	64.5	13,000	67.0	11,200	70.0	9,800	72.0	9,000	
75	62.5	12,500	65.0	10,900	67.5	9,600	70.0	8,900	
80	60.0	12,000	63.0	10,600	65.5	9,400	67.5	8,800	
85	58.0	11,600	60.5	10,300	63.0	9,300	65.0	8,700	
90	55.5	11,200	58.0	10,000	61.0	9,100	62.5	8,700	
95	53.0	10,900	56.0	9,800	58.5	9,000	60.0	8,700	
100	50.5	10,500	53.5	9,600	55.5	8,900	57.5	8,700	
105	47.5	9,500	50.5	9,400	53.0	8,800	54.5	8,700	
110	44.5	8,700	47.5	9,000	50.0	8,700	51.5	8,700	
115	41.5	7,900	44.5	8,200	47.0	8,400	48.0	8,600	
120	38.0	7,200	41.0	7,400	43.0	7,700			
125	34.0	6,500	37.0	6,800	39.0	6,900			
130	30.0	6,000	32.5	6,100	34.0	6,200			
135	25.0	5,400	27.5	5,600					
140	18.0	4,900	20.5	5,000					
Min.Bm. Ang./Cap.	0.0	1,800	0.0	1,800	0.0	1,900	0.0	2,100	

Not for crane operations



Rated Lifting Capacities In Pounds

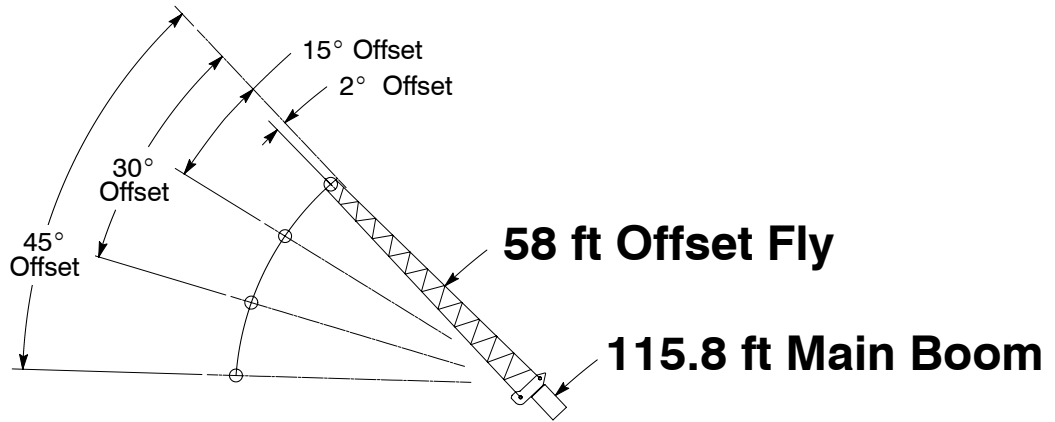




Load Radius In (ft)	2° Offset		15° Offset		30° Offset		45° Offset	
	\angle °	360°	\angle °	360°	\angle °	360°	\angle °	360°
45	79.5	8,500						
50	78.5	8,400						
55	77.5	8,300						
60	76.0	8,100	80.0	7,200				
65	75.0	8,000	78.5	7,000				
70	73.5	7,800	77.0	6,800				
75	72.5	7,700	76.0	6,700	79.5	5,700		
80	71.0	7,500	74.5	6,500	78.0	5,600		
85	69.5	7,300	73.0	6,300	76.5	5,500	80.0	4,900
90	68.0	7,100	71.5	6,200	75.0	5,400	78.0	4,900
95	66.5	6,900	70.0	6,000	73.5	5,300	76.5	4,800
100	65.0	6,700	68.5	5,900	72.0	5,200	75.0	4,800
105	63.5	6,500	67.0	5,700	70.5	5,100	73.5	4,700
110	62.0	6,300	65.0	5,600	68.5	5,000	71.5	4,700
115	60.0	6,000	63.5	5,500	67.0	4,900	69.5	4,700
120	58.5	5,800	62.0	5,300	65.0	4,800	68.0	4,600
125	56.5	5,600	60.0	5,100	63.5	4,700	66.0	4,500
130	54.5	5,300	58.0	4,900	61.5	4,500	63.5	4,400
135	52.5	5,200	56.0	4,700	59.5	4,400	61.5	4,300
140	50.5	5,000	54.0	4,600	57.0	4,300	59.0	4,200
145	48.5	4,800	52.0	4,400	55.0	4,200	57.0	4,100
150	46.0	4,700	49.5	4,300	52.5	4,100	54.0	4,000
155	44.0	4,500	47.0	4,200	50.0	4,000	51.5	4,000
160	41.0	4,100	44.5	4,100	47.5	3,900	48.5	4,000
165	38.0	3,700	42.0	4,000	44.5	3,900	45.0	4,000
170	35.0	3,400	38.5	3,600	41.0	3,800		
175	31.5	3,000	35.0	3,200	36.5	3,300		
180	27.0	2,700	30.5	2,900	31.5	2,900		
185	22.0	2,400	25.0	2,500				

⚠ WARNING

Do Not Lower 58 ft Offset Fly In Working Position Below 13.5 Degrees Unless Main Boom Length Is 135 ft Or Less, Since Loss Of Stability Will Occur Causing A Tipping Condition.

Not for crane operations



Rated Lifting Capacities In Pounds		Full				39,500 lb		EM 3	
		2° Offset		15° Offset		30° Offset		45° Offset	
Load Radius In (ft)	2°		15°		30°		45°		
	∠	360°	∠	360°	∠	360°	∠	360°	
35	80.0	11,600							
40	78.5	11,200							
45	77.0	10,700							
50	75.5	10,300	79.5	8,400					
55	74.0	9,800	78.0	8,000					
60	72.5	9,400	76.5	7,700					
65	70.5	9,000	74.5	7,400	79.0	6,200			
70	69.0	8,600	73.0	7,100	77.5	6,000			
75	67.5	8,200	71.5	6,900	75.5	5,800	79.5	5,200	
80	65.5	7,900	69.5	6,700	73.5	5,700	77.5	5,100	
85	63.5	7,500	67.5	6,400	72.0	5,500	75.5	5,000	
90	62.0	7,200	66.0	6,200	70.0	5,400	73.5	4,900	
95	60.0	7,000	64.0	6,000	68.0	5,300	71.5	4,900	
100	58.0	6,700	62.0	5,900	66.0	5,200	69.0	4,800	
105	56.0	6,500	60.0	5,700	64.0	5,100	67.0	4,800	
110	54.0	6,200	58.0	5,500	61.5	5,000	64.5	4,700	
115	51.5	6,000	55.5	5,400	59.5	4,900	62.5	4,700	
120	49.5	5,800	53.5	5,300	57.0	4,900	59.5	4,700	
125	47.0	5,700	51.0	5,200	54.5	4,800	57.0	4,700	
130	44.5	5,500	48.5	5,100	52.0	4,800	54.0	4,700	
135	42.0	5,300	46.0	5,000	49.0	4,700	51.0	4,700	
140	39.0	5,200	43.0	4,900	46.0	4,700	47.5	4,700	
145	36.0	5,000	39.5	4,800	42.5	4,700			
150	32.0	4,600	36.0	4,800	38.5	4,700			
155	28.0	4,100	32.0	4,400	33.5	4,500			
160	23.0	3,700	26.5	3,900					
165	15.0	3,400	17.5	3,400					
Min.Bm. Ang./Cap.	0.0	900	0.0	900	0.0	1,000	0.0	1,200	

Not for crane operations

Link-Belt Construction Equipment Company Lexington, Kentucky www.linkbelt.com

®Link-Belt is a registered trademark. Copyright 2006. We are constantly improving our products and therefore reserve the right to change designs and specifications.