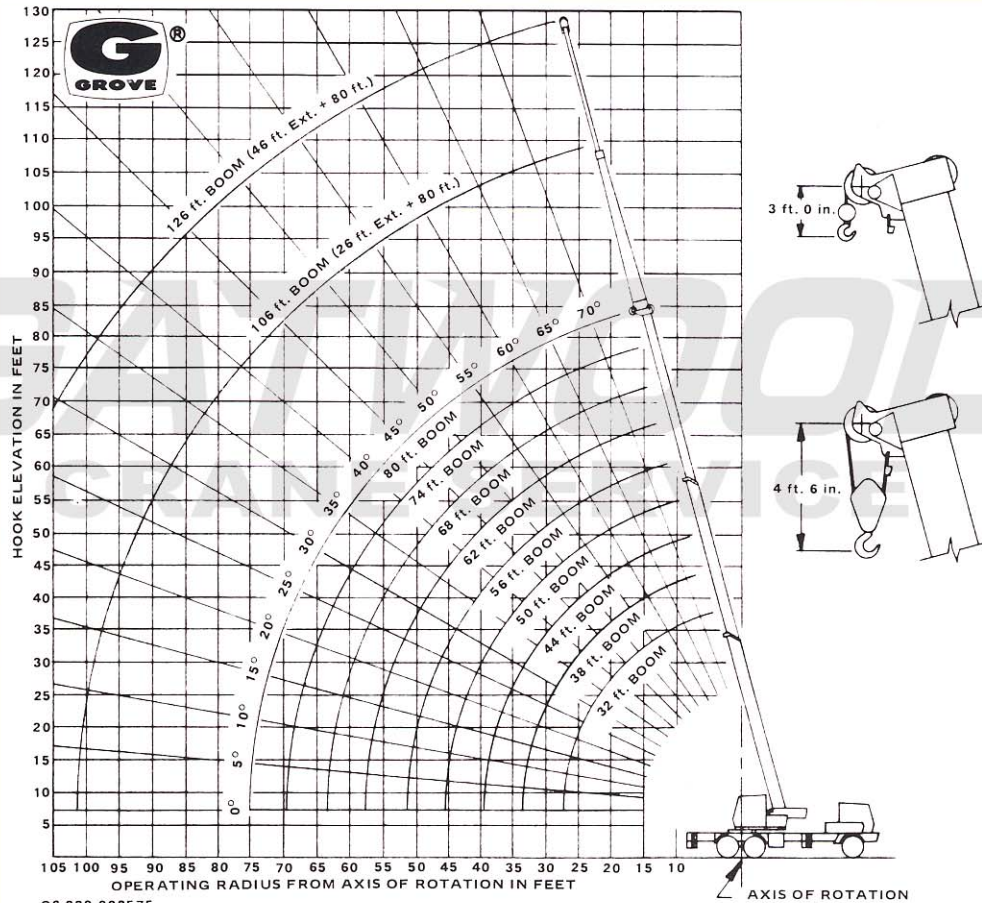


GROVE®

TMS200

RANGE DIAGRAM



C6-829-002575

NOTES TO LIFTING CAPACITIES

1. Do not exceed any rated lifting capacity. Rated lifting capacities are based on freely suspended loads with the machine leveled and standing on a firm supporting surface. Ratings with outriggers are based on outriggers being extended to their maximum position and tires raised free of crane weight before extending the boom or lifting loads.
2. Practical working loads for each particular job shall be established by the user depending on operating conditions; including the supporting surface, wind and other factors affecting stability, hazardous surroundings, experience of personnel, handling of load, etc. No attempt must be made to move a load horizontally on the ground in any direction.
3. Operating radius is the horizontal distance from the axis of rotation before loading to the centerline of the vertical hoist line or tackle with loads applied.
4. "On Rubber" lifting (if permitted) depends on proper tire inflation, capacity, and condition. "On Rubber" loads may be transported at a maximum vehicle speed of 2.5 mi/hr (4 Km/hr) on a firm and level surface under conditions specified.
5. Jibs may be used for lifting crane service only. Jib capacities are based on structural strength of jib or main boom and on main boom angle.
6. Operation is not intended or approved for any conditions outside of those shown hereon. Handling of personnel from the boom is not authorized except with equipment furnished and installed by Grove Manufacturing Company.
7. For clamshell or concrete bucket operation, weight of bucket and load must not exceed 80% of rated lifting capacities.
8. Power-telescoping boom sections must be extended equally at all times. Long cantilever booms can create a tipping condition when in extended and lowered position.
9. The maximum load which may be telescoped is limited by hydraulic pressure, boom angle, boom lubrication, etc. It is safe to attempt to telescope any load within the limits of rated lifting capacity chart.
10. With certain boom and hoist tackle combinations, maximum capacities may not be obtainable with standard cable lengths.
11. With certain boom and load combinations, raising of load with boom lift cylinders may not be possible. Operational safety is not affected by this condition.
12. Keep load handling devices a minimum of 12 inches (30 cm) below boom head when lowering or extending boom.
13. If actual boom length and/or radius are between values listed, use lifting capacity for the next longer rated length and/or radius.
14. All load handling devices and boom attachments are considered part of the load and suitable allowances must be made for their combined weights.
15. Operation of this equipment in excess of rating charts or disregard of the instructions is hazardous and voids the warranty and manufacturer's liability.



GROVE MANUFACTURING COMPANY

A DIVISION OF WALTER KIDDE & COMPANY, INC.

SHADY GROVE • PENNSYLVANIA 17256

MEMBER: POWER CRANE & SHOVEL ASSOCIATION

Form No. 1215576-10M

Printed in U.S.A.

GATWOOD
Crane Service, Inc.

GROVE®

FULL HYDRAULIC CARRIER-MOUNTED CRANE

TMS200

20 TON CAP.

PCSA CLASS 10-67

RATED LIFTING CAPACITIES IN POUNDS

32 ft. - 126 ft. BOOM

ON OUTRIGGERS FULLY EXTENDED - OVER SIDE

Radius in Feet	Main Boom Length in Feet								26ft. Ext. (2-Offset) + 80 ft.	26ft. Tele. (2-Offset) + 80 ft.	46ft. Tele. (2-Offset) + 80 ft.	
	*32	38	44	50	56	62	68	74				80
10	40,000 (64)	40,000 (68)	40,000 (72)									
12	36,600 (60)	36,600 (65)	36,600 (69)	36,600 (72.5)	36,600 (74.5)							
15	33,300 (53.5)	33,300 (59.5)	33,300 (65)	33,300 (68.5)	33,300 (71.5)	28,200 (74.5)	26,000					
20	26,650 (41.5)	26,650 (50.5)	26,650 (57)	26,650 (62)	26,650 (65.5)	24,500 (67.5)	23,000 (70)	21,500 (72.5)	20,000 (73.5)			
25	16,700 (24.5)	16,700 (39.5)	16,700 (49)	16,700 (55)	16,700 (59.5)	16,700 (62.5)	16,700 (65.5)	16,700 (68)	16,700 (69.5)	10,000 (75)	9,370 (75)	
30	11,460 (25)	11,460 (39)	11,460 (47.5)	11,460 (53)	11,460 (57)	11,460 (60.5)	11,460 (64)	11,460 (65.5)	9,550 (73)	8,950 (73)		
35		8,550 (26.5)	8,550 (38.5)	8,550 (46)	8,550 (51)	8,550 (55.5)	8,550 (59.5)	8,550 (61.5)	8,360 (70)	7,760 (70)	3,250 (74.5)	
40			6,680 (27.5)	6,680 (38)	6,680 (45)	6,680 (50)	6,680 (54.5)	6,680 (57)	7,410 (67)	6,810 (67)	3,080 (72.5)	
45				5,240 (6.5)	5,240 (28.5)	5,240 (37.5)	5,240 (44)	5,240 (49.5)	6,630 (64)	6,030 (64)	2,920 (70)	
50					4,080 (13)	4,080 (29)	4,080 (37.5)	4,080 (43.5)	4,080 (48)	5,470 (61)	4,880 (61)	2,760 (67.5)
55						3,160 (16.5)	3,160 (29.5)	3,160 (37.5)	3,160 (42.5)	4,260 (64.5)	3,680 (64.5)	2,600 (65)
60							2,420 (18.5)	2,420 (30)	2,420 (37)	3,300 (54)	2,780 (54)	2,450 (62.5)
65								1,820 (20.5)	1,820 (30)	2,710 (50.5)	2,120 (50.5)	2,320 (60)
70									1,340 (21.5)	2,120 (46.5)	1,520 (46.5)	2,200 (67)
75										1,690 (42.5)	1,100 (42.5)	2,030 (54)
80										1,290 (38.5)	940 (33.5)	1,570 (48)
85												

NOTE: Boom Angle (degrees) in reference for given lift appears below the load. A6-829-002616 & -002549

ON OUTRIGGERS FULLY EXTENDED - OVER REAR

Radius in Feet	Main Boom Length in Feet								26ft. Ext. (2-Offset) + 80 ft.	26ft. Tele. (2-Offset) + 80 ft.	46ft. Tele. (2-Offset) + 80 ft.	
	*32	38	44	50	56	62	68	74				80
10	40,000 (64)	40,000 (68)	40,000 (72)									
12	36,600 (60)	36,600 (65)	36,600 (69)	36,600 (72.5)	36,600 (74.5)							
15	33,300 (53.5)	33,300 (59.5)	33,300 (65)	33,300 (68.5)	33,300 (71.5)	28,200 (74.5)	26,000					
20	30,000 (41.5)	30,000 (50.5)	30,000 (57)	30,000 (62)	30,000 (65.5)	24,500 (67.5)	23,000 (70)	21,500 (72.5)	20,000 (73.5)			
25	20,220 (24.5)	20,220 (39.5)	20,220 (49)	20,220 (55)	20,220 (59.5)	20,220 (62.5)	18,500 (65.5)	18,200 (68)	17,500 (69.5)	10,000 (75)	9,370 (75)	
30	14,310 (39)	14,310 (47.5)	14,310 (53)	14,310 (57)	14,310 (60.5)	14,310 (64)	14,310 (65.5)	14,310 (67)	9,550 (73)	8,950 (73)		
35		11,320 (26.5)	11,320 (38.5)	11,320 (46)	11,320 (51)	11,320 (55.5)	11,320 (59.5)	11,320 (61.5)	9,360 (70)	8,360 (70)	3,250 (74.5)	
40			8,900 (27.5)	8,900 (38)	8,900 (45)	8,900 (50)	8,900 (54.5)	8,900 (57)	7,410 (67)	6,810 (67)	3,080 (72.5)	
45				7,250 (6.5)	7,250 (28.5)	7,250 (37.5)	7,250 (44)	7,250 (49.5)	6,630 (64)	6,030 (64)	2,920 (70)	
50					6,140 (13)	6,140 (29)	6,140 (37.5)	6,140 (43.5)	6,140 (48)	5,980 (61)	5,380 (61)	2,760 (67.5)
55						5,090 (16.5)	5,090 (29.5)	5,090 (37.5)	5,090 (42.5)	5,430 (57.5)	4,820 (57.5)	2,600 (65)
60							4,150 (18.5)	4,150 (30)	4,150 (37)	4,960 (64)	4,350 (64)	2,450 (62.5)
65								3,390 (20.5)	3,390 (30)	4,190 (50.5)	3,600 (50.5)	2,320 (60)
70									2,830 (21.5)	3,490 (46.5)	2,890 (46.5)	2,200 (57)
75										2,900 (42.5)	2,300 (42.5)	2,100 (54)
80										2,400 (38.5)	1,800 (38.5)	2,010 (51.5)
85										1,990 (33.5)	1,390 (33.5)	1,920 (48)
90										1,650 (27.5)	1,040 (28)	1,850 (45)
95										1,380 (20.5)	930 (20.5)	1,600 (41.5)
100										1,130 (8.5)	730 (8.5)	1,260 (37.5)
105												930 (33)

NOTE: Boom Angle (degrees) in reference for given lift appears below the load. A6-829-002615 & -002549

WEIGHT REDUCTIONS FOR LOAD HANDLING DEVICES

26 ft. Boom Extension
with 32-80 ft. Boom
*Stowed - 225 lbs.
*Erected - 1,550 lbs.

26-46 Tele. Boom Ext.
with 32-80 ft. Boom
*Stowed - 400 lbs.
*Erected - 2,700 lbs. (26 ft. retracted)
*Erected - 3,450 lbs. (46 ft. extended)
*Reduction of main boom capacities.

25 Ton, 3 Sheave Hookblock - 550 lbs.
7 1/2 Ton Headache Ball - 300 lbs.
5 Ton Headache Ball - 150 lbs.
Auxiliary Boom Head - 110 lbs.

Capacities appearing above the bold line are based on structural strength and tipping should not be relied upon as a capacity limitation.

*Capacities for 32 ft. boom length shall be lifted with boom fully retracted. If boom is not fully retracted, capacities shall not exceed those shown for the 38 ft. boom length.

**Boom must be fully extended when lifting with the boom extensions.

Capacities do not exceed 85% of tipping loads as determined by test in accordance with SAE J-765.

GATWOOD

Crane Service, Inc.